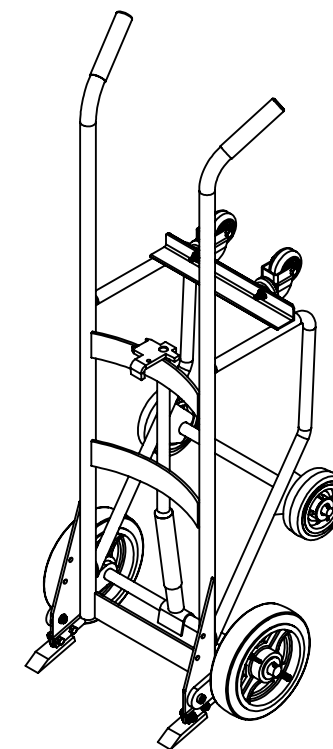
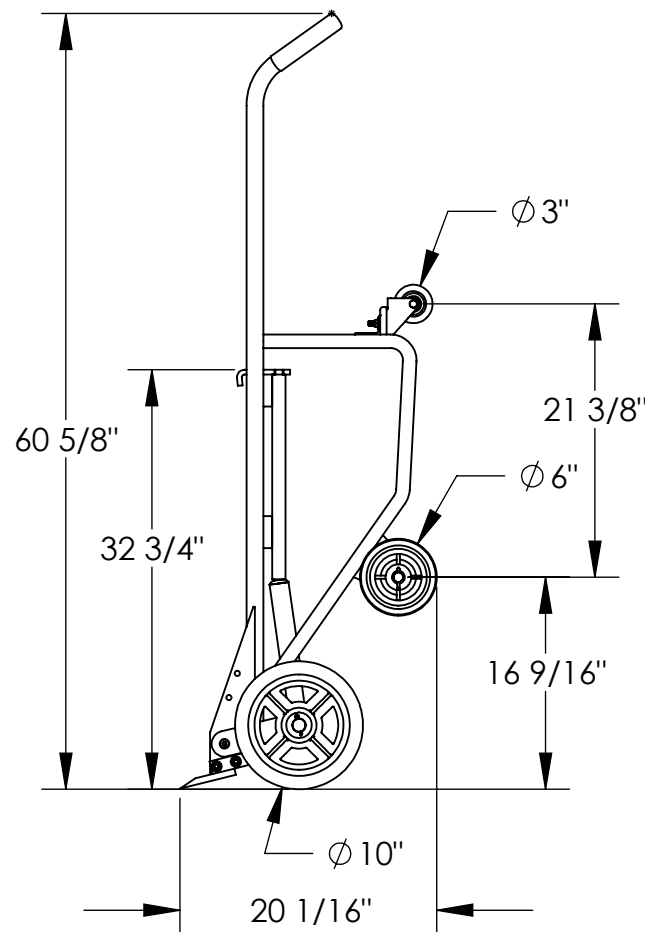
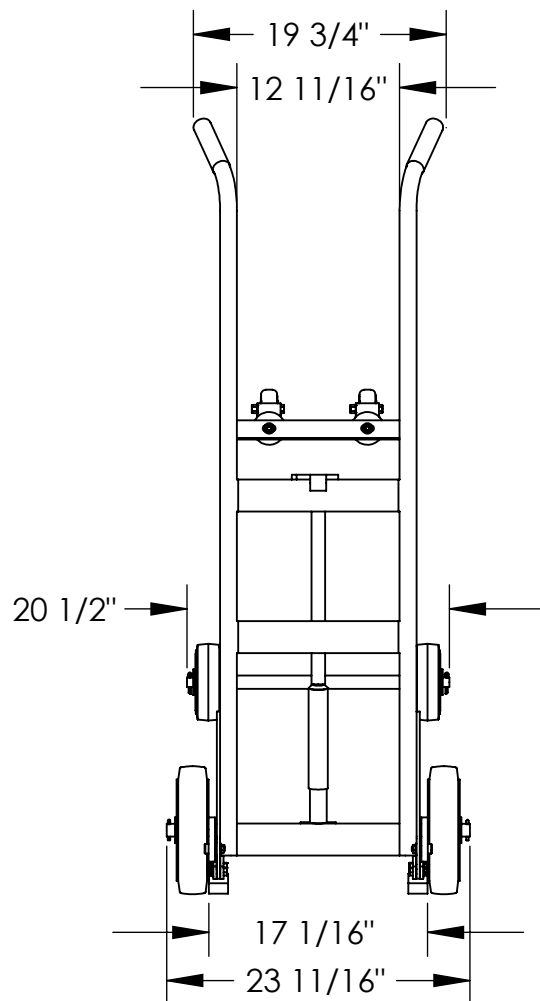


# MULTI-PURPOSE DRUM TRUCK/CRADLE - RDBT-MR

APPROX WEIGHT: 119.11 lbs. DOES NOT INCLUDE WEIGHT OF POWER OR PACKAGING!!!

\*\*\* ANY ADDITIONS, DELETIONS, OR OMISSIONS MUST BE CORRECTED ON THIS DRAWING AS THIS DRAWING WILL BE CONSIDERED ALL INCLUSIVE \*\*\*

ALL GRAPHICS PROVIDED ARE FOR REFERENCE ONLY. IF CERTAIN DIMENSIONS ARE CRITICAL PLEASE VERIFY THOSE DIMENSIONS WITH YOUR SALESPERSON



DIMENSIONAL TOL. +/- 1/4"

APPROVAL

I, THE UNDERSIGNED, AGREE THAT THE PRODUCT AS REPRESENTED SATISFIES DESIGN AND DIMENSION REQUIREMENTS. I ALSO ACKNOWLEDGE MY DUTY TO CONFIRM PRODUCT AND INSTALLATION COMPLIANCE WITH ALL APPLICABLE FEDERAL, STATE AND LOCAL REGULATIONS AND STANDARDS.

**UNITS REQUIRING APPROVAL DRAWINGS OR MODIFIED ARE NON-RETURNABLE**

[ ] As drawn [ ] As marked

Signed: \_\_\_\_\_ Date: \_\_\_\_\_

Printed Name: \_\_\_\_\_

LEAD TIME WILL START UPON RECEIPT OF SIGNED APPROVAL DRAWING

## STANDARD FEATURES

- MODEL NUMBER IS RDBT-MR
- CAPACITY IS 1,000 LBS.
- OVERALL WIDTH IS 23 11/16"
- USABLE WIDTH IS 17 1/16"
- OVERALL LENGTH IS 20 1/16"
- OVERALL HEIGHT IS 60 5/8"
- DRAIN HEIGHT IS APPROX. 12 13/16" (NOT SHOWN)
- (2) Ø3" X 1 1/4" POLY SWIVEL CASTERS
- (2) Ø10" X 2 1/2" MOLD ON RUBBER WHEELS
- (2) Ø6" X 2" POLY-ON-POLY WHEELS
- USED WITH 55 GALLON DRUMS
- TOUGH BAKED IN POWDER COATED YELLOW FINISH

## SPECIAL FEATURES

NONE

DISTRIBUTOR'S NAME:		P.O.#
VESTIL MANUFACTURING		X
DRAWN BY: ND	DATE: 3/1/07	W.O.#
REFERENCE: X	SCALE: 1:15	X
QUOTED LEAD TIME: X	QUOTE #	SALES: X
	X	FILE NAME:
		09-007-188